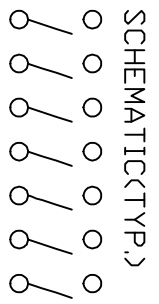
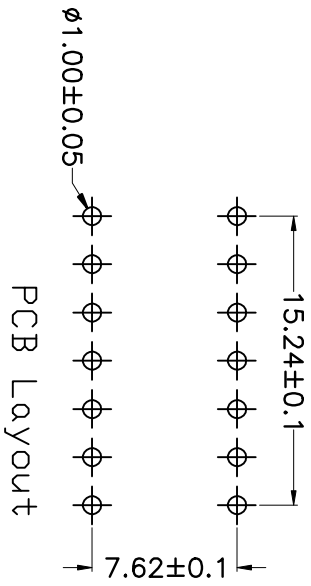
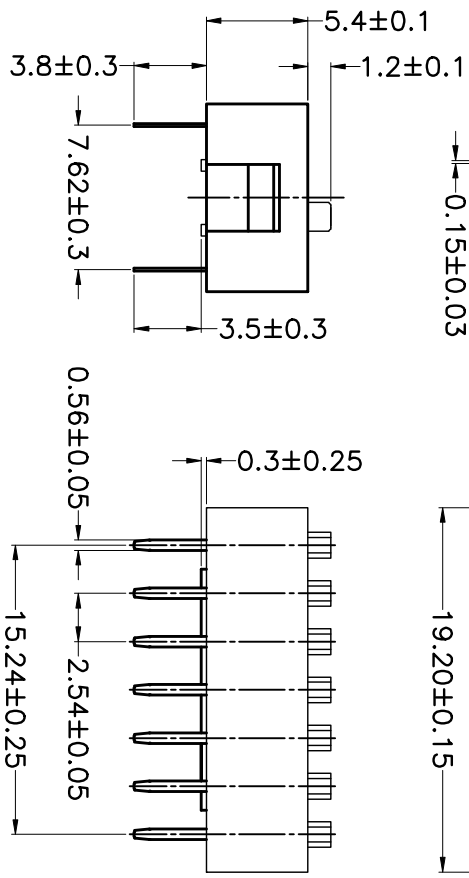
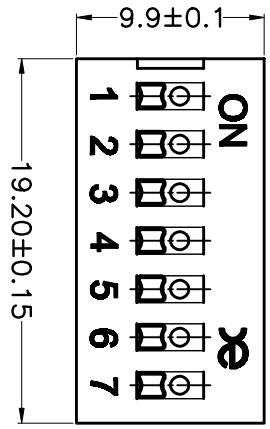
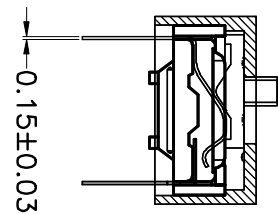


PRODUCT NO. DSWB07LHGFT  
RoHS compliant



- Note:
- All dimensions are in millimeters.
  - General tolerance: ±0.2mm.
  - Material:

Base: UL94V-0 PBT Thermoplastic (Black).  
 Cover: UL94V-0 PBT Thermoplastic (Black/Red/Blue).  
 Actuators: UL94V-0 PA66 Thermoplastic (White).  
 Contact plating: Gold plating over nickel.  
 Pitting material: Epoxy.

4. Electrical  
 Electrical: 2000 Operations per switch 24/VDC, 25mA.  
 Non-Switching Rating: 100mA, 50/VDC.  
 Switching Rating: 25mA, 24/VDC  
 Contact Resistance: 100 mΩ Max at initial.

5. Mechanical  
 Mechanical life: 2000 Operations per switch.  
 Stroke: 2.0mm.  
 Operation Temp: -20°C to 70°C.  
 Storage Temp: -40°C to 85°C.

6. PART NUMBER DESCRIPTION:

DS WB 07 L H G E T

- [Packing: T=Tube R=Reel]
- [Finish: B=1 μ"-3 μ" Gold-plated R=10 μ" Gold-plated]
- [Finish: G=Full Gold S=Contact Gold-plated Terminal-Tin-Plated]
- [Terminal: S=SMD type H=Strait:.....]
- [Actuator: T=Tepe sealed S=Low profile W/O Tepe L=Extension]
- [HP=Half-Pitch IC=IC type PV=Plano type WB=WB type]

TOLERANCE UNLESS OTHERWISE SPECIFIED		INSPECTION COPY		PROJECTION		TITLE	
LINER	ANGLES	0 ± 0.30	0 ± 1°			BY DSWB SERIES PITCH 2.54mm	
.00 ± 0.20	.0 ± 0.5°					PRODUCT FAMILY DSWB SERIES	
.000 ± 0.10	.00 ±					PRAT NO. DSWB07LHGFT	
DESIGN	LU ER XIN	2013/07/02				FILE NO. DSWB07LHGFT-A	
DRAWING						SIZE UNIT SCALE SHEET REV.	
CHECK						A4 mm FIT TOP 1 A	
APPRO.							



东莞市 睿实业有限公司  
Dongguan Kingtek Industrial Co., Ltd.